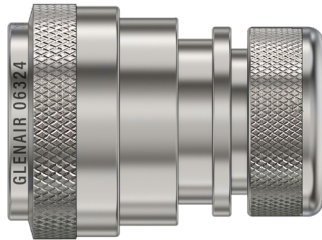


Series 31 Shrink Boot Adapters

for AS50151 Crimp, M26482 Series II, M83723 Series III, AS95234

311A*001 Shrink Boot Adapter, Braid Trap



Adapter Code **A**

AS50151 crimp, AS95234, MIL-DTL-26482 Ser. II, MIL-DTL-83723 Ser. III

BRAID TRAP

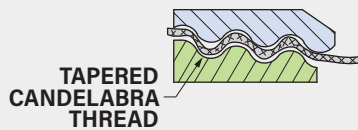


TABLE 1: ENTRY SIZE

Entry Size	Shell Sizes*	Max Cable Dia. in	mm	J Max in	mm
02	08-36	.250	6.4	.515	13.1
03	10-36	.375	9.5	.640	16.3
04	12-36	.500	12.7	.765	19.4
05	16-36	.625	15.9	.920	23.4
06	18-36	.750	19.1	1.015	25.8
07	20-36	.875	22.2	1.140	29.0
08	22-36	1.000	25.4	1.265	32.1
09	24-36	1.125	28.6	1.432	36.4
10	24-36	1.250	31.8	1.515	38.5
11	28-36	1.375	34.9	1.640	41.7
12	32-36	1.500	38.1	1.765	44.8
13	36	1.750	44.5	2.015	51.2

* If selected entry size exceeds shell size range, a Style 2 transition adapter will be included. See Maximum Entry Size for details.

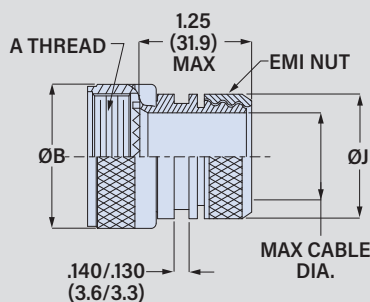
Shielded. Variable entry size. 311A*001 shrink boot adapter fits AS50151 crimp (MS3450), AS95234, MIL-DTL-26482 Series II, MIL-DTL-83723 Series III connectors. Adapter has candelabra-style tapered thread to captivate shield braid under nut. install optional lipped shrink boot over nut for environmental protection. Supplied as adapter only or as kit with shrink boot. Aluminum or stainless steel, silicone O-ring.

PART NUMBER

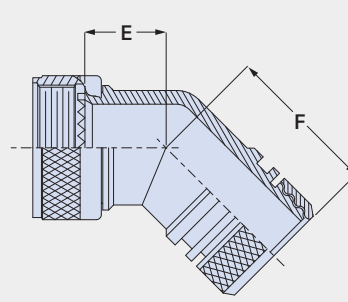
	311AS001	M	16	05	T
Base P/N	Base Part No.	Profile			
	311AS001	S Straight			
	311AH001	H 45°			
	311AJ001	J 90°			
Material/ Finish	M	Alum/ Electroless Nickel			
	MT	Alum/ Nickel-PTFE			
	NF	Alum/ Olive Drab Cadmium			
	ZR	Alum/ Black Zinc-Nickel			
	TZ	Alum/ Tin-Zinc			
	ZI	SST/ Passivated			
Shell Size	08 10 12 14 16 18 20 22 24 28 32 36				
Entry Size	See Table 1				
Shrink Boot	Omit if not required				
	T	Shrink Boot included			

Shell Size	A Thread Class 2B	ø B Max in	mm	E Max in	mm	F Max in	mm	G Max in	mm	H Max in	mm	Max Entry Size*
08	0.500-20 UNF	.65	16.5	.830	21.1	1.045	26.5	.940	23.9	1.155	29.3	02
10	0.625-24 UNEF	.77	19.6	.860	21.8	1.075	27.3	1.010	25.7	1.225	31.1	03
12	0.750-20 UNEF	.94	23.9	.882	22.4	1.097	27.9	1.070	27.2	1.285	32.6	04
14	0.875-20 UNEF	1.07	27.2	.900	22.9	1.125	28.6	1.130	28.7	1.345	34.2	04
16	1.000-20 UNEF	1.21	30.7	.930	23.6	1.145	29.1	1.190	30.2	1.405	35.7	05
18	1.0625-18 UNEF	1.23	31.2	.950	24.1	1.165	29.6	1.240	31.5	1.455	37.0	06
20	1.1875-18 UNEF	1.36	34.5	.980	24.9	1.195	30.4	1.310	33.3	1.525	38.7	07
22	1.3125-18 UNEF	1.48	37.6	1.000	25.4	1.215	30.9	1.360	34.5	1.575	40.0	08
24	1.4375-18 UNEF	1.73	43.9	1.030	26.2	1.245	31.6	1.430	36.3	1.645	41.8	09
28	1.750-18 UNS	1.97	50.0	1.240	31.5	1.620	41.1	1.481	37.6	1.766	44.9	11
32	2.000-18 UNS	2.22	56.4	1.292	32.8	1.750	44.5	1.798	45.7	1.886	47.9	12
36	2.250-16 UN	2.47	62.7	1.338	34.0	1.796	45.6	1.908	48.5	1.996	50.7	13

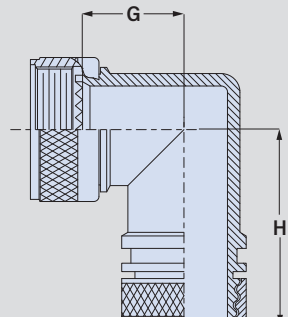
Profile **S** Straight



Profile **H** 45°



Profile **J** 90°



Series 31 Shrink Boot Adapters

for AS50151 Crimp, M26482 Series II, M83723 Series III, AS95234

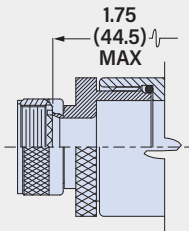
311A*001 Shrink Boot Adapter, Braid Trap

MAXIMUM ENTRY SIZE

If the selected entry size exceeds the maximum size in this table, the backshell will have a front adapter. This is called a Style 2 backshell.

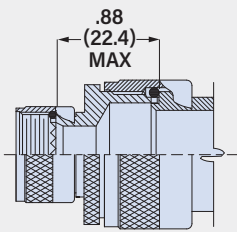
Shell Size	Max Entry Size	Shell Size	Max Entry Size
08	02	20	07
10	03	22	08
12	04	24	09
14	04	28	11
16	05	32	12
18	06	36	13

Style 2 Straight Backshell



For Style 2 straight backshells, the front adapter adds ½ inch to the length.

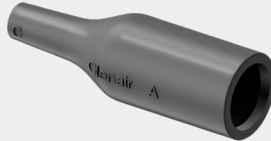
Style 2 45° and 90° Backshells



For Style 2 45° and 90° backshells, the length increases by .88 inch.

SHRINK BOOT

Optional heatshrink boot provides cable strain relief and environmental protection. Type 1 high-performance semi-rigid elastomer resists fuels and oils and withstands temperature extremes.



Entry Size	Shrink Boot P/N
02	770-001S103
03	770-001S103
04	770-001S104
05	770-001S104
06	770-001S105
07	770-001S106
08	770-001S106
09	770-001S107
10	770-001S107
11	770-001S108
12	770-001S108
13	770-001S108