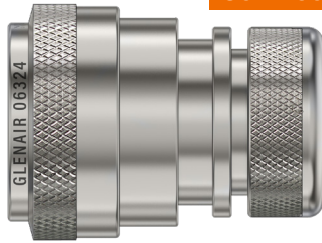


Series 31 Shrink Boot Adapters

for AS50151 Crimp, M26482 Series II, M83723 Series III, AS95234

311A*039 Shrink Boot Adapter, Braid Trap, Self-Locking



Self-Locking

Adapter Code A

AS50151 crimp, AS95234, MIL-DTL-26482 Ser. II, MIL-DTL-83723 Ser. III

BRAID TRAP



Shielded. Variable entry size. 311A*039 shrink boot adapter fits AS50151 crimp (MS3450), AS95234, MIL-DTL-26482 Series II, MIL-DTL-83723 Series III connectors. Adapter has candelabra-style tapered thread to captivate shield braid under nut. install optional lipped shrink boot over nut for environmental protection. Anti-decoupling mechanism provides audible detented coupling and prevents backoff under high vibration. Supplied as adapter only or as kit with shrink boot. Aluminum or stainless steel.

PART NUMBER

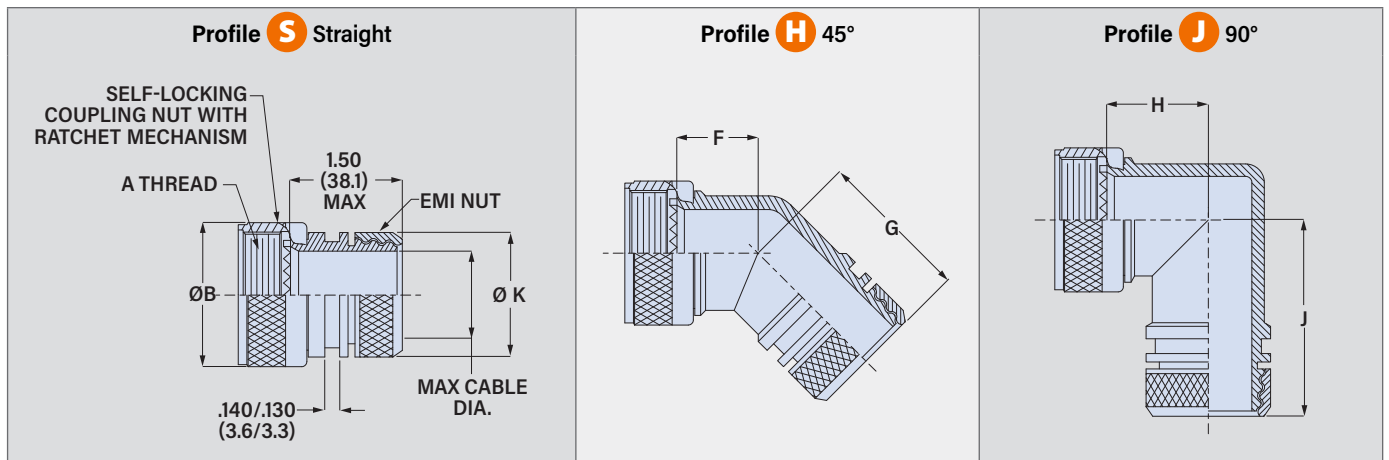
	311AS039	M	16	05	T
Base P/N	Base Part No.	Profile			
	311AS039	S Straight			
	311AH039	H 45°			
	311AJ039	J 90°			
Material/ Finish	M	Alum/ Electroless Nickel			
	MT	Alum/ Nickel-PTFE			
	NF	Alum/ Olive Drab Cadmium			
	ZR	Alum/ Black Zinc-Nickel			
	TZ	Alum/ Tin-Zinc			
	ZI	SST/ Passivated			
Shell Size	08 10 12 14 16 18 20 22 24				
Entry Size	See Table 1				
Shrink Boot	Omit if not required T Shrink Boot included				

TABLE 1: ENTRY SIZE

Entry Size	Shell Sizes*	Max Cable Dia. in	mm	K Max in	mm
02	08-24	.250	6.4	.515	13.1
03	10-24	.375	9.5	.640	16.3
04	12-24	.500	12.7	.765	19.4
05	16-24	.625	15.9	.920	23.4
06	18-24	.750	19.1	1.015	25.8
07	20-24	.875	22.2	1.140	29.0
08	22-24	1.000	25.4	1.265	32.1
09	24	1.125	28.6	1.432	36.4

*If selected entry size exceeds shell size range, a Style 2 transition adapter will be included. See Maximum Entry Size for details.

Shell Size	A Thread Class 2B	ø B Max in	mm	F Max in	mm	G Max in	mm	H Max in	mm	J Max in	mm	Max Entry Size*
08	0.500-20 UNF	.69	17.5	.795	20.2	1.045	26.5	.906	23.0	1.155	29.3	02
10	0.625-24 UNEF	.82	20.8	.820	20.8	1.075	27.3	.966	24.5	1.225	31.1	03
12	0.750-20 UNEF	.94	23.8	.844	21.4	1.097	27.9	1.026	26.1	1.285	32.6	04
14	0.875-20 UNEF	1.06	26.9	.861	21.9	1.125	28.6	1.076	27.3	1.345	34.2	04
16	1.000-20 UNEF	1.17	29.7	.888	22.6	1.145	29.1	1.136	28.9	1.405	35.7	05
18	1.0625-18 UNEF	1.46	37.1	.904	23.0	1.165	29.6	1.176	29.9	1.455	37.0	06
20	1.1875-18 UNEF	1.60	40.6	.929	23.6	1.195	30.4	1.236	31.4	1.525	38.7	07
22	1.3125-18 UNEF	1.70	43.2	.956	24.3	1.215	30.9	1.296	32.9	1.575	40.0	08
24	1.4375-18 UNEF	1.84	46.7	.979	24.9	1.245	31.6	1.356	34.4	1.645	41.8	09



Series 31 Shrink Boot Adapters

for AS50151 Crimp, M26482 Series II, M83723 Series III, AS95234

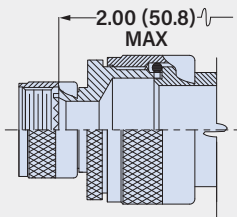
311A*039 Shrink Boot Adapter, Braid Trap, Self-Locking

MAXIMUM ENTRY SIZE

If the selected entry size exceeds the maximum size in this table, the backshell will have a front adapter. This is called a **Style 2** backshell.

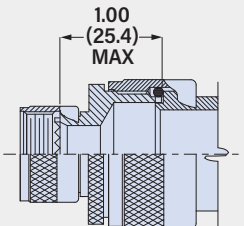
Shell Size	Max Entry Size	Shell Size	Max Entry Size
08	02	18	06
10	03	20	07
12	04	22	08
14	04	24	09
16	05		

Style 2 Straight Backshell



For Style 2 straight backshells, the front adapter adds ½ inch to the length.

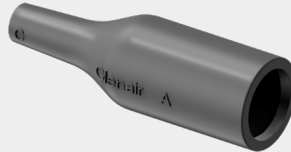
Style 2 45° and 90° Backshells



For Style 2 45° and 90° backshells, the length increases by 1.00 inch.

SHRINK BOOT

Optional heatshrink boot provides cable strain relief and environmental protection. Type 1 high-performance semi-rigid elastomer resists fuels and oils and withstands temperature extremes.



Entry Size	Shrink Boot P/N
02	770-003S112
03	770-003S103
04	770-003S103
05	770-003S104
06	770-003S104
07	770-003S105
08	770-003S106
09	770-003S107