

# Series 31 Shrink Boot Adapters

for MIL-DTL-38999 Series I and II Connectors

## 311F\*039 Shrink Boot Adapter, Braid Trap, Self-Locking

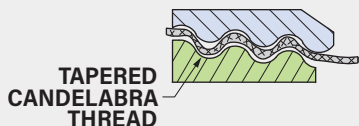


**Self-Locking**

**Adapter Code F**

This accessory fits these connectors:  
MIL-DTL-38999 Series I and Series II

### BRAID TRAP



**TABLE 1: ENTRY SIZE**

Entry Size	Shell Sizes*	Max Cable Dia. in	Max Cable Dia. mm	K Max in	K Max mm
02	08-24	.250	6.4	.515	13.1
03	10-24	.375	9.5	.640	16.3
04	12-24	.500	12.7	.765	19.4
05	14-24	.625	15.9	.920	23.4
06	16-24	.750	19.1	1.015	25.8
07	20-24	.875	22.2	1.140	29.0
08	22-24	1.000	25.4	1.265	32.1
09	24	1.125	28.6	1.432	36.4

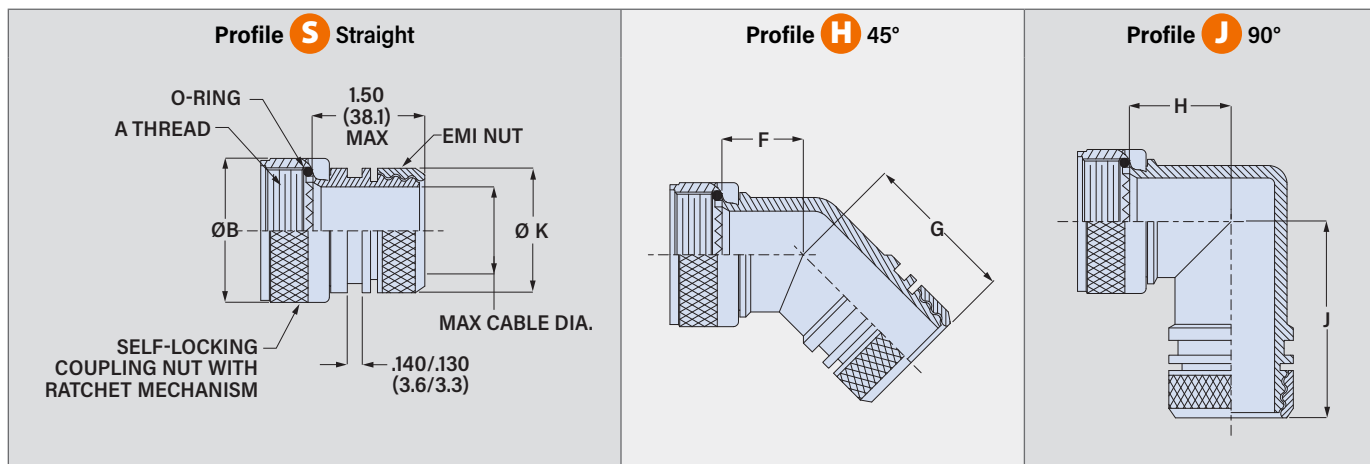
\*If selected entry size exceeds shell size range, a Style 2 transition adapter will be included. See Maximum Entry Size for details.

**Shielded. Variable entry size.** 311F\*039 shrink boot adapter fits MIL-DTL-38999 Series I and II connectors. Adapter has candelabra-style tapered thread to captivate shield braid under nut. install optional lipped shrink boot over nut for environmental protection. Anti-decoupling mechanism provides audible detented coupling and prevents backoff under high vibration. Supplied as adapter only or as kit with shrink boot. Aluminum or stainless steel, silicone O-ring.

### PART NUMBER

		<b>311FS039</b>	<b>M</b>	<b>16</b>	<b>05</b>	<b>T</b>				
Base P/N	Base Part No.									
	Profile									
	<b>311FS039</b> <b>S</b> Straight									
	<b>311FH039</b> <b>H</b> 45°									
	<b>311FJ039</b> <b>J</b> 90°									
Material/ Finish	<b>M</b> Alum/ Electroless Nickel									
	<b>MT</b> Alum/ Nickel-PTFE									
	<b>NF</b> Alum/ Olive Drab Cadmium									
	<b>ZR</b> Alum/ Black Zinc-Nickel									
	<b>TZ</b> Alum/ Tin-Zinc									
	<b>ZI</b> SST/ Passivated									
Shell Size	Shell Size									
	38999 Series I	9	11	13	15	17	19	21	23	25
	38999 Series II	8	10	12	14	16	18	20	22	24
	Size Code	<b>08</b>	<b>10</b>	<b>12</b>	<b>14</b>	<b>16</b>	<b>18</b>	<b>20</b>	<b>22</b>	<b>24</b>
Entry Size	See Table 1									
Shrink Boot	Omit if not required									
	<b>T</b>	Shrink Boot included								

Shell Size	A Thread UNEF-2B	ø B Max		F Max		G Max		H Max		J Max		Max Entry Size*
		in	mm	in	mm	in	mm	in	mm	in	mm	
8/9	0.4375-28	.86	21.8	.795	20.2	1.045	26.5	.906	23.0	1.155	29.3	02
10/11	0.5625-24	.97	24.6	.820	20.8	1.075	27.3	.966	24.5	1.225	31.1	03
12/13	0.6875-24	1.11	28.2	.844	21.4	1.097	27.9	1.026	26.1	1.285	32.6	04
14/15	0.8125-20	1.21	30.7	.861	21.9	1.125	28.6	1.076	27.3	1.345	34.2	05
16/17	0.9375-20	1.35	34.3	.888	22.6	1.145	29.1	1.136	28.9	1.405	35.7	06
18/19	1.0625-18	1.46	37.1	.904	23.0	1.165	29.6	1.176	29.9	1.455	37.0	06
20/21	1.1875-18	1.60	40.6	.929	23.6	1.195	30.4	1.236	31.4	1.525	38.7	07
22/23	1.3125-18	1.70	43.2	.956	24.3	1.215	30.9	1.296	32.9	1.575	40.0	08
24/25	1.4375-18	1.84	46.7	.979	24.9	1.245	31.6	1.356	34.4	1.645	41.8	09



# Series 31 Shrink Boot Adapters

for MIL-DTL-38999 Series I and II Connectors

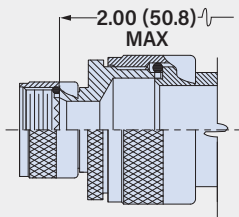
## 311F\*039 Shrink Boot Adapter, Braid Trap, Self-Locking

### MAXIMUM ENTRY SIZE

If the selected entry size exceeds the maximum size in this table, the backshell will have a front adapter. This is called a **Style 2** backshell.

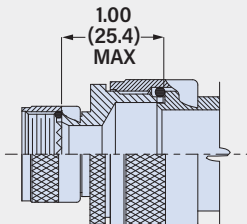
Shell Size	Max Entry Size	Shell Size	Max Entry Size
08	<b>02</b>	18	<b>06</b>
10	<b>03</b>	20	<b>07</b>
12	<b>04</b>	22	<b>08</b>
14	<b>05</b>	24	<b>09</b>
16	<b>06</b>		

### Style 2 Straight Backshell



For Style 2 straight backshells, the front adapter adds ½ inch to the length.

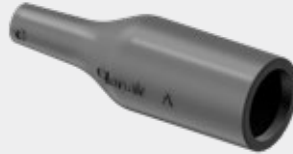
### Style 2 45° and 90° Backshells



For Style 2 45° and 90° backshells, the length increases by 1.00 inch.

### SHRINK BOOT

Optional heatshrink boot provides cable strain relief and environmental protection. Type 1 high-performance semi-rigid elastomer resists fuels and oils and withstands temperature extremes.



Entry Size	Shrink Boot P/N
02	<b>770-003S112</b>
03	<b>770-003S103</b>
04	<b>770-003S103</b>
05	<b>770-003S104</b>
06	<b>770-003S104</b>
07	<b>770-003S105</b>
08	<b>770-003S106</b>
09	<b>770-003S107</b>