

Series 31 Shrink Boot Adapters

for MIL-DTL-38999 Series III and IV Connectors

311H*039 Shrink Boot Adapter, Braid Trap, Self-Locking

Self-Locking



Shielded. Variable entry size. 311H*039 shrink boot adapter fits MIL-DTL-38999 Series III and IV connectors. Adapter has candelabra-style tapered thread to captivate shield braid under nut. install optional lipped shrink boot over nut for environmental protection. Anti-decoupling mechanism provides audible detented coupling and prevents backoff under high vibration. Supplied as adapter only or as kit with shrink boot. Aluminum or stainless steel, silicone O-ring.

Adapter Code H

This accessory fits these connectors:
MIL-DTL-38999 Series III and Series IV

BRAID TRAP

TAPERED CANDELABRA THREAD

TABLE 1: ENTRY SIZE

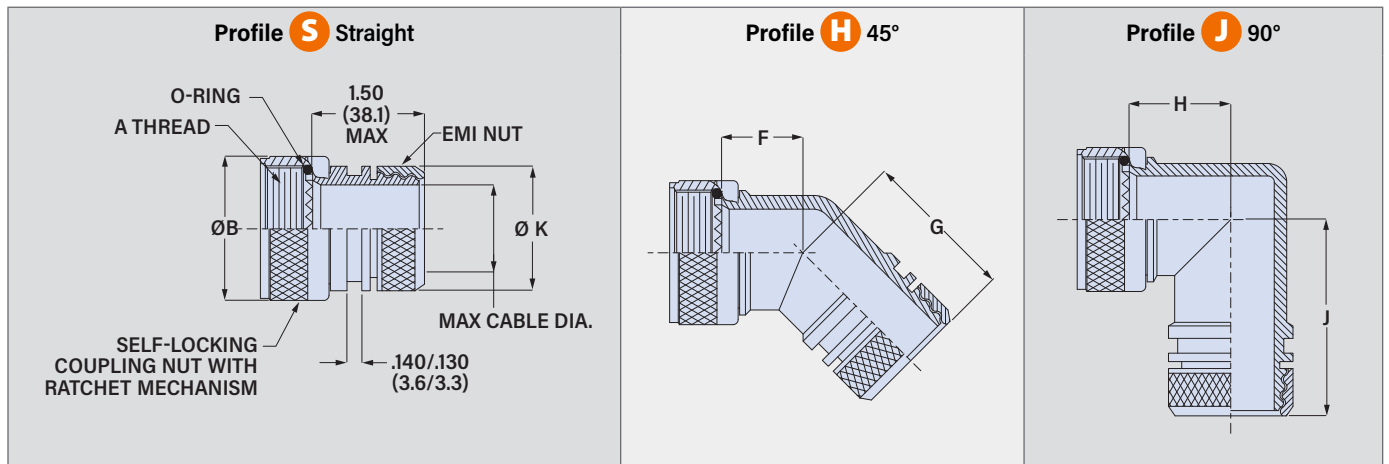
Entry Size	Shell Sizes*	Max Cable Dia. in	Max Cable Dia. mm	K Max in	K Max mm
02	09-25	.250	6.4	.515	13.1
03	11-25	.375	9.5	.640	16.3
04	13-25	.500	12.7	.765	19.4
05	15-25	.625	15.9	.920	23.4
06	17-25	.750	19.1	1.015	25.8
07	21-25	.875	22.2	1.140	29.0
08	23-25	1.000	25.4	1.265	32.1
09	25	1.125	28.6	1.432	36.4

* If selected entry size exceeds shell size range, a Style 2 transition adapter will be included. See Maximum Entry Size for details.

PART NUMBER

311HS039	M	17	05	T
Base P/N	Base Part No.	Profile		
	311HS039	S Straight		
	311HH039	H 45°		
	311HJ039	J 90°		
Material/ Finish	M Alum/ Electroless Nickel	MT Alum/ Nickel-PTFE		
	NF Alum/ Olive Drab Cadmium	ZR Alum/ Black Zinc-Nickel		
	TZ Alum/ Tin-Zinc	ZI SST/ Passivated		
Shell Size	Shell Size	9 11 13 15 17 19 21 23 25		
	Size Code	A B C D E F G H J		
		09 11 13 15 17 19 21 23 25		
Entry Size	See Table 1			
Shrink Boot	Omit if not required T Shrink Boot included			

Shell Size	A Thread	ø B Max in	ø B Max mm	F Max in	F Max mm	G Max in	G Max mm	H Max in	H Max mm	J Max in	J Max mm	Max Entry Size*
9 (A)	M12X1.0-6H	.94	24.8	.795	20.2	1.045	26.5	.906	23.0	1.155	29.3	02
11 (B)	M15X1.0-6H	1.06	26.9	.820	20.8	1.075	27.3	.966	24.5	1.225	31.1	03
13 (C)	M18X1.0-6H	1.17	29.7	.844	21.4	1.097	27.9	1.026	26.1	1.285	32.6	04
15 (D)	M22X1.0-6H	1.29	32.7	.861	21.9	1.125	28.6	1.076	27.3	1.345	34.2	05
17 (E)	M25X1.0-6H	1.42	36.1	.888	22.6	1.145	29.1	1.136	28.9	1.405	35.7	06
19 (F)	M28X1.0-6H	1.54	39.1	.904	23.0	1.165	29.6	1.176	29.9	1.455	37.0	06
21 (G)	M31X1.0-6H	1.67	42.4	.929	23.6	1.195	30.4	1.236	31.4	1.525	38.7	07
23 (H)	M34X1.0-6H	2.01	51.1	.956	24.3	1.215	30.9	1.296	32.9	1.575	40.0	08
25 (J)	M37X1.0-6H	2.12	53.8	.979	24.9	1.245	31.6	1.356	34.4	1.645	41.8	09



Series 31 Shrink Boot Adapters

for MIL-DTL-38999 Series III and IV Connectors

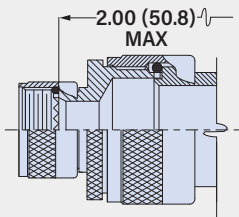
311H*039 Shrink Boot Adapter, Braid Trap, Self-Locking

MAXIMUM ENTRY SIZE

If the selected entry size exceeds the maximum size in this table, the backshell will have a front adapter. This is called a Style 2 backshell.

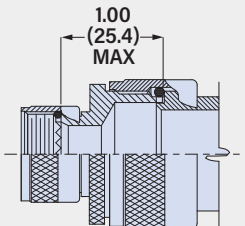
Shell Size	Max Entry Size	Shell Size	Max Entry Size
09	02	19	06
11	03	21	07
13	04	23	08
15	05	25	09
17	06		

Style 2 Straight Backshell



For Style 2 straight backshells, the front adapter adds ½ inch to the length.

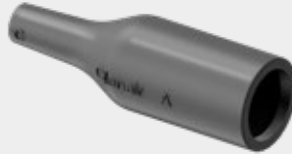
Style 2 45° and 90° Backshells



For Style 2 45° and 90° backshells, the length increases by 1.00 inch.

SHRINK BOOT

Optional heatshrink boot provides cable strain relief and environmental protection. Type 1 high-performance semi-rigid elastomer resists fuels and oils and withstands temperature extremes.



Entry Size	Shrink Boot P/N
02	770-003S112
03	770-003S103
04	770-003S103
05	770-003S104
06	770-003S104
07	770-003S105
08	770-003S106
09	770-003S107