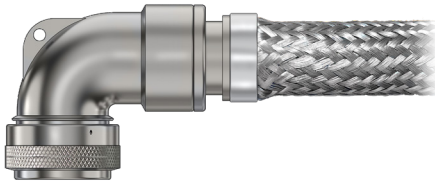


Series 31 Shrink Boot Adapters

for AS50151 Crimp, M26482 Series II, M83723 Series III, AS95234

319A*044 Shrink Boot Adapter, Braid Sock, Self-Locking

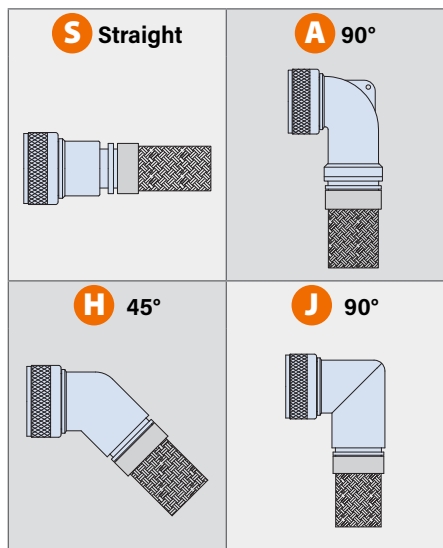
Self-Locking



Braid Sock. 319A*044 shrink boot adapter with braid sock fits AS50151 crimp (MS3450), AS95234, MIL-DTL-26482 Series II, MIL-DTL-83723 Series III connectors. Adapter has braid attached with crimp ring. Anti-decoupling mechanism provides audible detented coupling and prevents backoff under high vibration. install optional lipped shrink boot for environmental protection. Supplied as adapter only or as kit with shrink boot. Aluminum or stainless steel. Tin-plated copper crimp ring. Braid is 36 AWG tinned copper per A-A-59569.

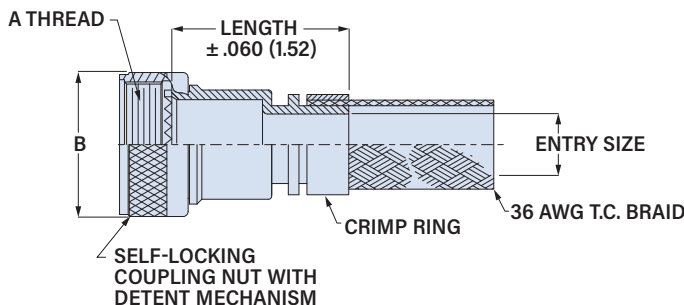
Adapter Code A
AS50151 crimp, AS95234, MIL-DTL-26482 Ser. II, MIL-DTL-83723 Ser. III

PROFILE SELECTION GUIDE



PART NUMBER

	319AS044	M	16	08	-6	-4	T
Base P/N	Base Part No.	Profile					
	319AS044	S	Straight				
	319AA044	A	90° Elbow				
	319AH044	H	45° Cut/Weld				
	319AJ044	J	90° Cut/Weld				
Material/Finish	M	Alum/ Electroless Nickel					
	MT	Alum/ Nickel-PTFE					
	NF	Alum/ Olive Drab Cadmium					
	ZR	Alum/ Black Zinc-Nickel					
	TZ	Alum/ Tin-Zinc					
	ZI	SST/ Passivated (Profiles H, J, S only)					
Shell Size	08 10 12 14 16 18 20 22 24						
Entry Size		Cable Entry Size	Shell Size*		Cable Entry Size	Shell Size*	
	01	.188 (4.8)	08-24	09	.688 (17.5)	16-24	
	02	.250 (6.4)	08-24	10	.750 (19.1)	18-24	
	03	.312 (7.9)	10-24	11	.812 (20.6)	20-24	
	04	.375 (9.5)	10-24	12	.875 (22.2)	20-24	
	05	.438 (11.1)	12-24	13	.938 (23.8)	22-24	
	06	.500 (12.7)	12-24	14	1.000 (25.4)	22-24	
	07	.562 (14.3)	14-24	15	1.250 (31.8)	-	
	08	.625 (15.9)	16-24	16	1.500 (38.1)	-	
	* If selected entry size exceeds shell size range, a <i>Style 2</i> transition adapter will be included. See <i>Maximum Entry Size</i> .						
Braid Length	Braid length in one inch increments, 6 inch min						
Length	3	1.5 inches	Applies to Profile S only.				
	4	2.0 inches	If Entry Size is greater than "Maximum Entry Size" (see table), then 2 inch minimum applies.				
	5	2.5 inches					
Shrink Boot	Omit if not required						
	T	Shrink Boot included					



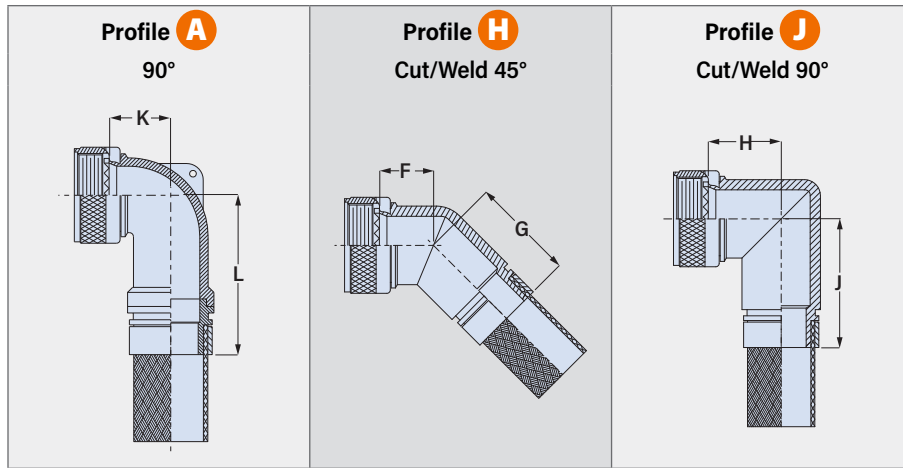
Shell Size	A Thread Class 2B	ø B Max in	Max mm	Max Entry Size*
08	0.500-20 UNF	.69	17.5	02
10	0.625-24 UNEF	.82	20.8	04
12	0.750-20 UNEF	.94	23.8	06
14	0.875-20 UNEF	1.06	26.9	07
16	1.000-20 UNEF	1.17	29.7	09
18	1.0625-18 UNEF	1.46	37.1	10
20	1.1875-18 UNEF	1.60	40.6	12
22	1.3125-18 UNEF	1.70	43.2	14
24	1.4375-18 UNEF	1.84	46.7	14

* If selected entry size exceeds shell size range, a *Style 2* transition adapter will be included. See *Maximum Entry Size* on next page.

Series 31 Shrink Boot Adapters

for AS50151 Crimp, M26482 Series II, M83723 Series III, AS95234

319A*044 Shrink Boot Adapter, Braid Sock, Self-Locking



Shell Size	F Max		G Max		H Max		J Max		K Max		L Max	
	in	mm	in	mm	in	mm	in	mm	in	mm	in	mm
08	.986	25.0	1.045	26.5	1.096	27.8	1.155	29.3	.655	16.6	1.88	47.8
10	1.016	25.8	1.075	27.3	1.166	29.6	1.225	31.1	.750	19.1	2.00	50.8
12	1.038	26.4	1.097	27.9	1.226	31.1	1.285	32.6	.765	19.4	2.02	51.3
14	1.056	26.8	1.125	28.6	1.286	32.7	1.345	34.2	.855	21.7	2.09	53.1
16	1.066	27.1	1.145	29.1	1.346	34.2	1.405	35.7	1.040	26.4	2.18	55.4
18	1.106	28.1	1.165	29.6	1.396	35.5	1.455	37.0	1.130	28.7	2.35	59.7
20	1.136	28.9	1.195	30.4	1.466	37.2	1.525	38.7	1.130	28.7	2.35	59.7
22	1.156	29.4	1.215	30.9	1.516	38.5	1.575	40.0	1.280	32.5	2.46	62.5
24	1.186	30.1	1.245	31.6	1.586	40.3	1.645	41.8	1.280	32.5	2.46	62.5

SHRINK BOOT

Optional heatshrink boot provides cable strain relief and environmental protection. Type 1 high-performance semi-rigid elastomer resists fuels and oils and withstands temperature extremes.



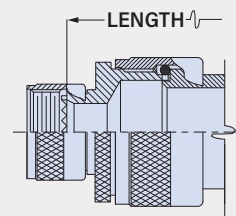
Entry Size	Shrink Boot P/N
01-02	770-003S111
03-05	770-003S103
06-08	770-001S104
09-11	770-001S105
12-14	770-001S106
15	770-001S107
16	770-001S108

MAXIMUM ENTRY SIZE

If the selected entry size exceeds the maximum size in this table, the backshell will have a front adapter. This is called a **Style 2** backshell.

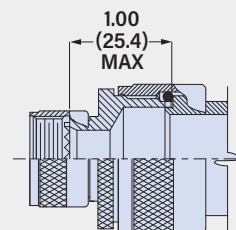
Shell Size	Max Entry Size
08	02
10	04
12	06
14	07
16	09
18	10
20	12
22	14
24	14

Style 2 Straight Backshell



For Style 2 straight backshells, the minimum length code increases from 3 (1 1/2 inches) to 4 (2 inches).

Style 2 45° and 90° Backshells



For Style 2 45° and 90° backshells, the length increases by 1.00 inch.