

# Series 31 Shrink Boot Adapters

for MIL-DTL-38999 Series I and II Connectors

## 319FS155 Shrink Boot Adapter, Braid Sock, Composite

**Self-Locking**



**Low profile, corrosion-proof, shielded.** 319F\*155 shrink boot adapter with braid sock fits MIL-DTL-38999 Series I and II connectors. Adapter has 12 inches of shield braid attached to nickel-plated brass follower. Anti-decoupling mechanism provides audible detented coupling and prevents backoff under high vibration. Install optional lipped shrink boot for environmental protection. Supplied as adapter only or as kit. Glass-filled high performance thermoplastic. Tin-plated copper crimp ring, nickel-plated brass follower, silicone O-ring.

**Adapter Code F**

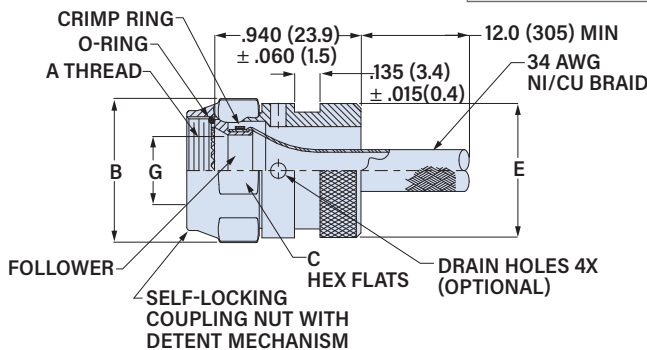
This accessory fits these connectors:  
MIL-DTL-38999 Series I and Series II

### MATERIAL AND FINISH

- Coupling nut, adapter, split ring: high performance thermoplastic
- EMI adapter: brass, electroless nickel plating
- Anti-decoupling spring: high performance thermoplastic
- O-ring: silicone
- Crimp ring: copper alloy, tin plated
- Braid:
  - 34 AWG nickel-coated copper (standard)
  - Code T: 34 AWG tin-coated copper,
  - Code A: AmberStrand® ultralightweight nickel-coated polymer
  - Code L: ArmorLite® lightweight microfilament nickel-coated 316L SST

### PART NUMBER

	<b>319FS155</b>	<b>XB</b>	<b>16</b>	<b>L-</b>	<b>D</b>	<b>T</b>	<b>R</b>	<b>14</b>		
<b>Base P/N</b>	<b>319FS155</b>									
<b>Finish</b>	<b>XB</b> No Finish, Black Color									
<b>Shell Size</b>	Shell Size									
	38999Series I	9	11	13	15	17	19	21	23	25
	38999 Series II	8	10	12	14	16	18	20	22	24
	Size Code	<b>08</b>	<b>10</b>	<b>12</b>	<b>14</b>	<b>16</b>	<b>18</b>	<b>20</b>	<b>22</b>	<b>24</b>
<b>Braid Type</b>	<i>Omit for 34 AWG nickel-coated copper</i>									
	<b>T-</b> 34 AWG Tin/Copper									
	<b>A-</b> AmberStrand® Nickel/Composite									
	<b>L-</b> ArmorLite® Nickel/SST									
<b>Drain Holes</b>	<i>Omit if not required</i>									
	<b>D</b> Drain Holes									
<b>Shrink Boot</b>	<i>Omit if not required</i>									
	<b>T</b> Shrink Boot included									
<b>Split Ring and Band</b>	<i>Omit if not required</i>									
	<b>R</b> Split Ring and Band included With Backshell									
<b>Braid Length</b>	<i>Omit for standard 12 inch length</i>									
	<b>14</b> Braid Length in one inch increments, 4 inch minimum									

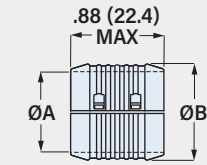


Shell Size	A Thread UNEF-2B	øB Max in	mm	C Hex Flats in	mm	E Max in	mm	øG ±.015 (0.4) in	mm
8/9	0.4375-28	.86	21.8	.750	19.1	.533	13.5	.265	6.7
10/11	0.5625-24	.98	24.9	.875	22.2	.605	15.4	.370	9.4
12/13	0.6875-24	1.16	29.5	1.000	25.4	.774	19.7	.506	12.9
14/15	0.8125-20	1.28	32.5	1.125	28.6	.838	21.3	.580	14.7
16/17	0.9375-20	1.41	35.8	1.250	31.8	.963	24.5	.705	17.9
18/19	1.0625-18	1.52	38.6	1.375	34.9	1.042	26.5	.784	19.9
20/21	1.1875-18	1.64	41.7	1.500	38.1	1.217	30.9	.907	23.0
22/23	1.3125-18	1.77	45.0	1.625	41.3	1.355	34.4	1.034	26.3
24/25	1.4375-18	1.89	48.0	1.750	44.5	1.443	36.7	1.140	28.9

### SUPPORT RING AND PRE-COILED BAND (R OPTION)



Optional split support ring provides a reliable, low resistance method of splicing braid. Snap split ring over wire bundle, then overlap adapter braid and cable braid. Install band around split ring and braid using Band-Master ATS standard banding tool.



687-749 SPLIT RING



Banding Tool

Shell Size	Support Ring Part Number	øA ±.030 (0.8)		øB ±.030 (0.8)	
		in	mm	in	mm
08	<b>687-749XB04</b>	.25	6.4	.40	10.2
10	<b>687-749XB06</b>	.38	9.7	.53	13.5
12	<b>687-749XB08</b>	.50	12.7	.65	16.5
14	<b>687-749XB10</b>	.63	16.0	.78	19.8
16	<b>687-749XB12</b>	.75	19.1	.90	22.9
18	<b>687-749XB14</b>	.88	22.4	1.03	26.2
20	<b>687-749XB16</b>	1.00	25.4	1.15	29.2
22	<b>687-749XB18</b>	1.13	28.7	1.28	32.5
24	<b>687-749XB20</b>	1.25	31.8	1.40	35.6
Shell Size	Band Part Number	Tool Part Number			
8-24	<b>601-041</b>	<b>601-100</b>			